



# MERCURY

## 1:10 High-simulated Remote Control Car-Chassis

### MERCURY High-simulated Remote Control Car-Chassis

Different from the traditional crawler chassis, MERCURY is a chassis that pursues the simulation of mechanical structure and driving posture instead of ultimate performance.

Its power system is located in the V-6 engine, and electronic equipment is located in the fuel tank. From its gearbox with two-speed gear shifting function, transfer box with partition transmission system, differential mechanism device with jaw type differential lock, we can better learn about the charm of MERCURY Chassis for off-road vehicle.

Switching and combining the functions, the operators can find its flexible steering radius of the rear drive system, the driving ability and sensitive reaction under different road conditions as well as corner traction performance, all of which are helpful to overcome more obstacles after starting 4WD driving system. It's entirely special driving fun. In the face of ultimate obstacles, its jaw type differential lock will lock, and the power will transmit to the four wheels synchronously, which the vehicle will transform into a crawler. After overcoming obstacles, its differential lock can be unlocked immediately by remote control, and the vehicle will not have any problems such as large turning radius, rigid driving posture, or strong axial effect which straight axis crawler has.

Based on Toyota Land Cruiser 70 and Jeep, MERCURY Chassis is designed to match Killerbody LC70 and Jeep body shell. The front axle is adopted 3-linkage suspension w/coil springs, while the rear axle has two suspension, one is used leaf spring with damper cylinder (fit for Killerbody LC70), another is 4-linkage suspension with damper cylinder (fit for Killerbody Jeep Gladiator Rubicon). No matter how complicated the chassis structure, we must pay tribute to the classic, keeping the faith—posture is the soul of vehicles.

The LiPo battery with the duration of 60 minutes is hidden inside the frame, completely retaining the entire cockpit interior, which can't be found even if looking from the chassis perspective. MERCURY Chassis aims to present driving postures with more gentle speed, rather than fast driving on sand and gravel.

Front suspension:  
3-linkage suspension w/coil springs



Rear suspension:  
4-linkage suspension w/damper cylinder



High/ Low Speed



Front/ Rear  
Differential Lock



4WD  
RWD  
4WD/RWD  
Switching



Engine Simulation



High-simulated  
Chassis



# Killerbody

## MERCURY

1:10 High-simulated Remote Control Car-Chassis

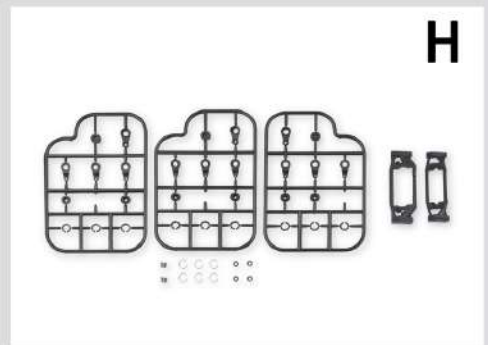
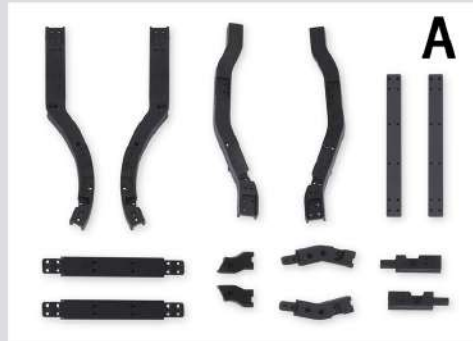
- READY TO ASSEMBLE REMOTE CONTROL CAR CHASSIS KIT
- PRE- ASSEMBLED F/R AXLE AND GEARBOX
- FRONT SUSPENSION: 3-LINKAGE SUSPENSION W/COIL SPRINGS
- REAR SUSPENSION: 4-LINKAGE SUSPENSION W/DAMPER CYLINDER
- FIT FOR KB#48765 1/10 JEEP GLADIATOR RUBICON HARD BODY



Item#48760

1/10 MERCURY Remote Control Car Chassis Kit

The product contained contents



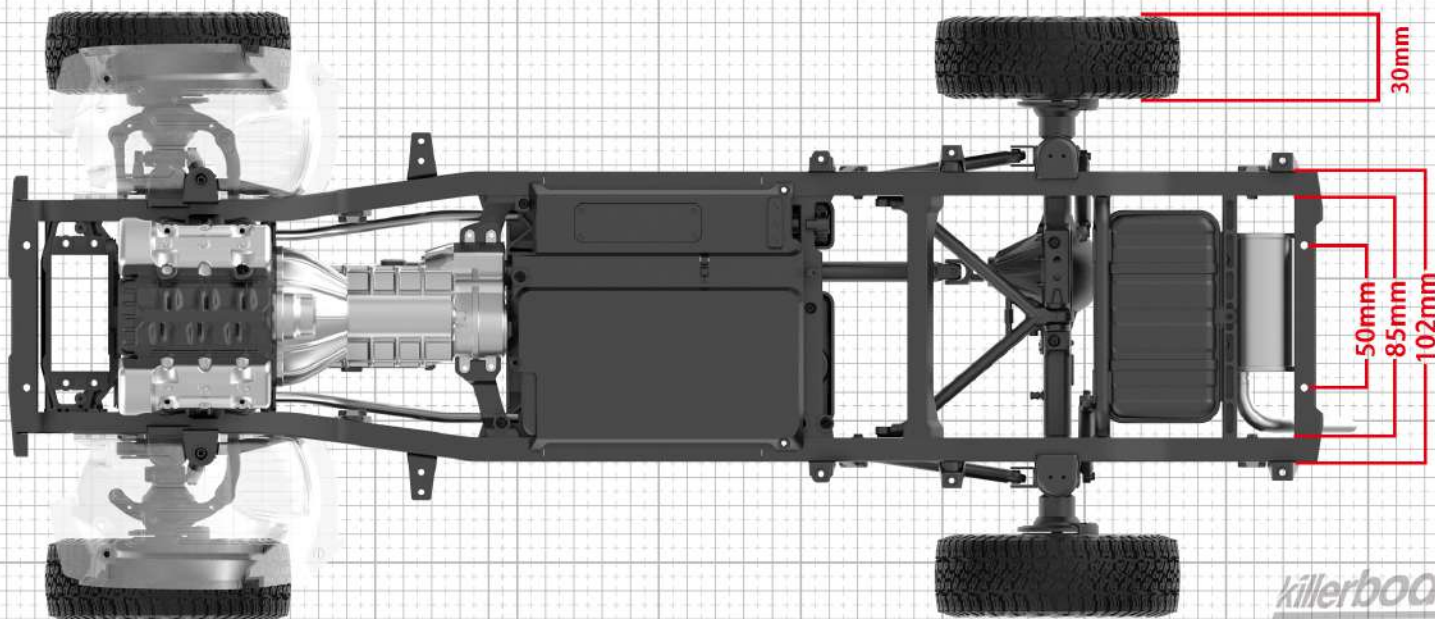
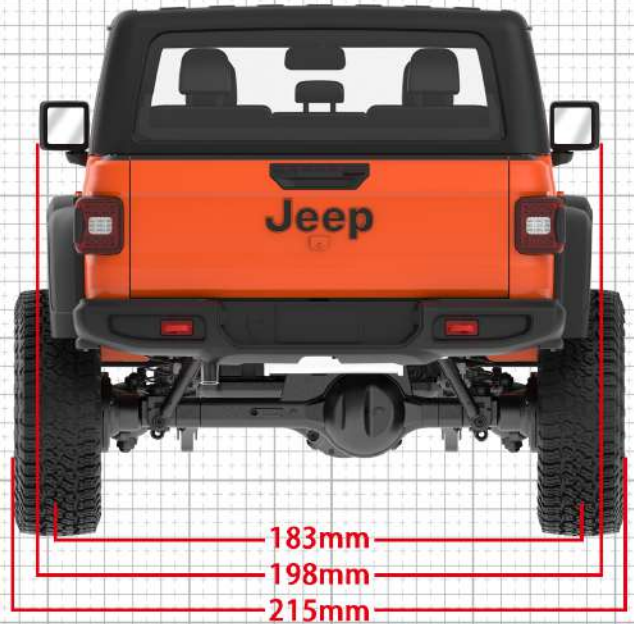
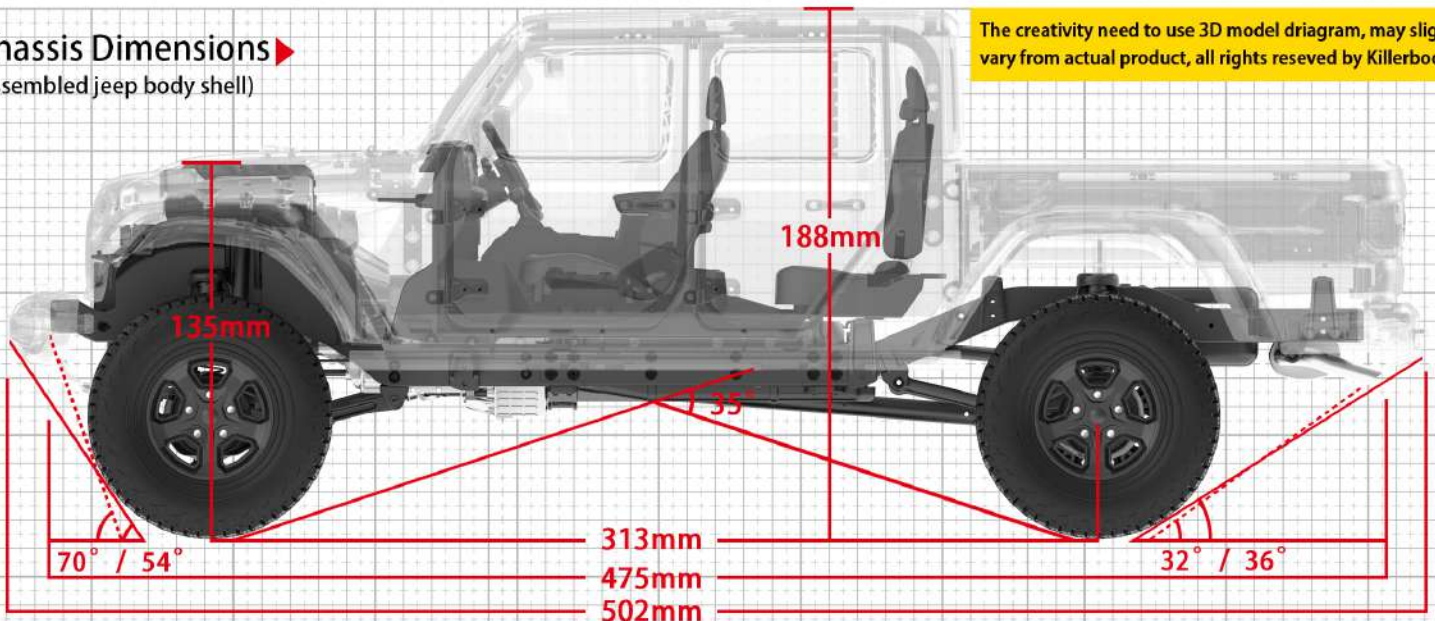
RC.KILLERBODY.COM



### Chassis Dimensions

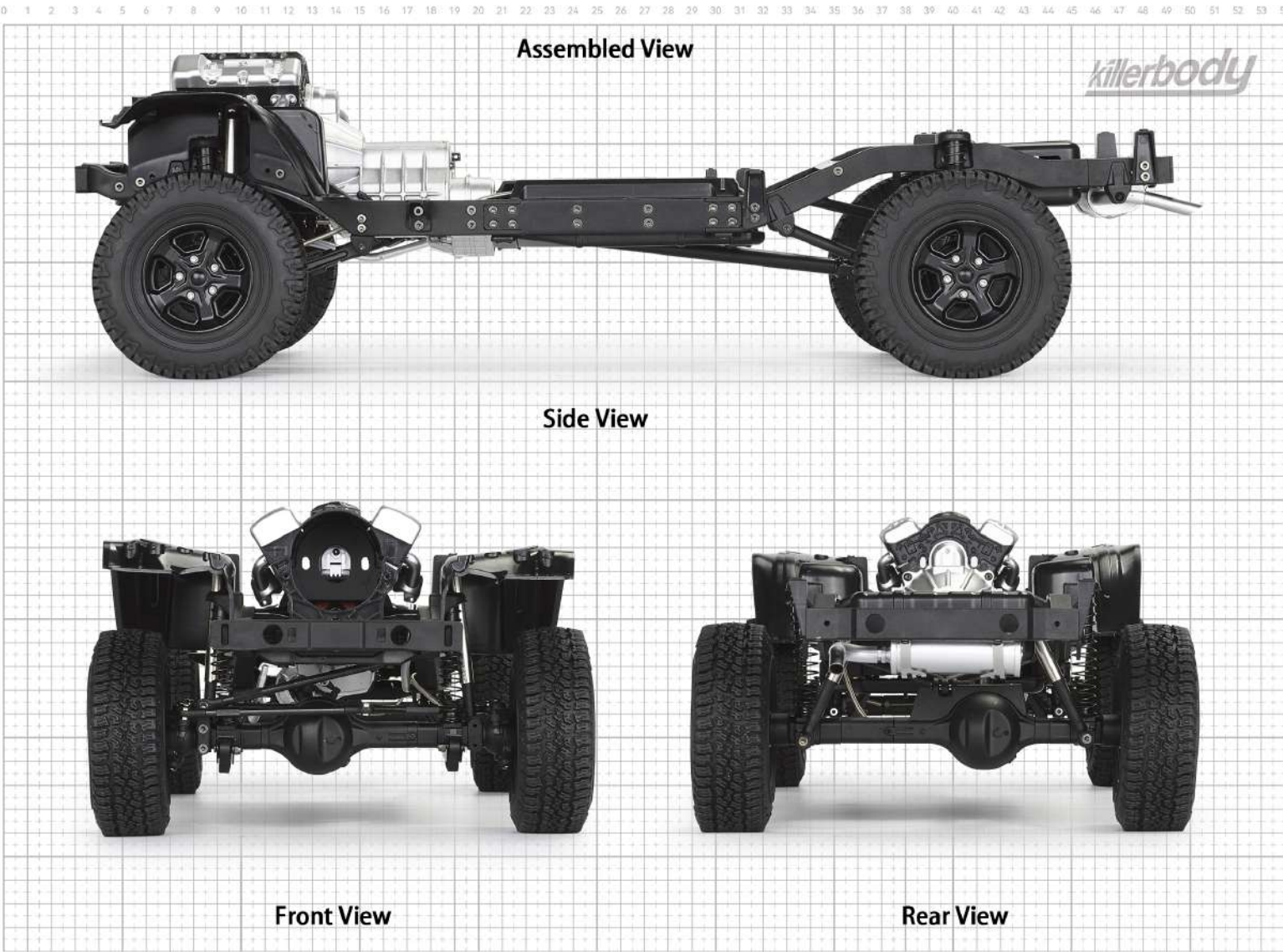
(assembled jeep body shell)

The creativity need to use 3D model driagram, may slightly vary from actual product, all rights reseved by Killerbody.



killerbody

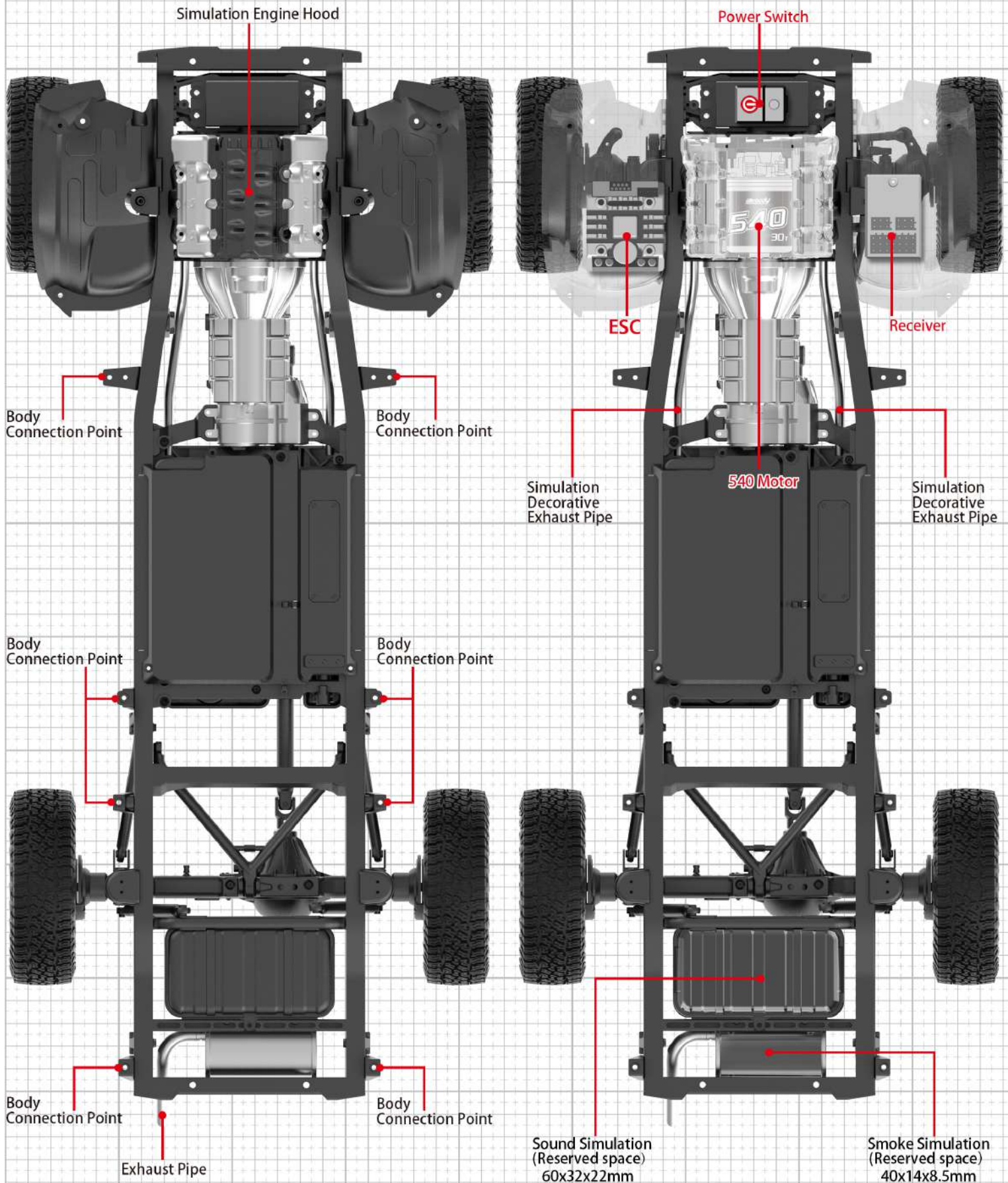




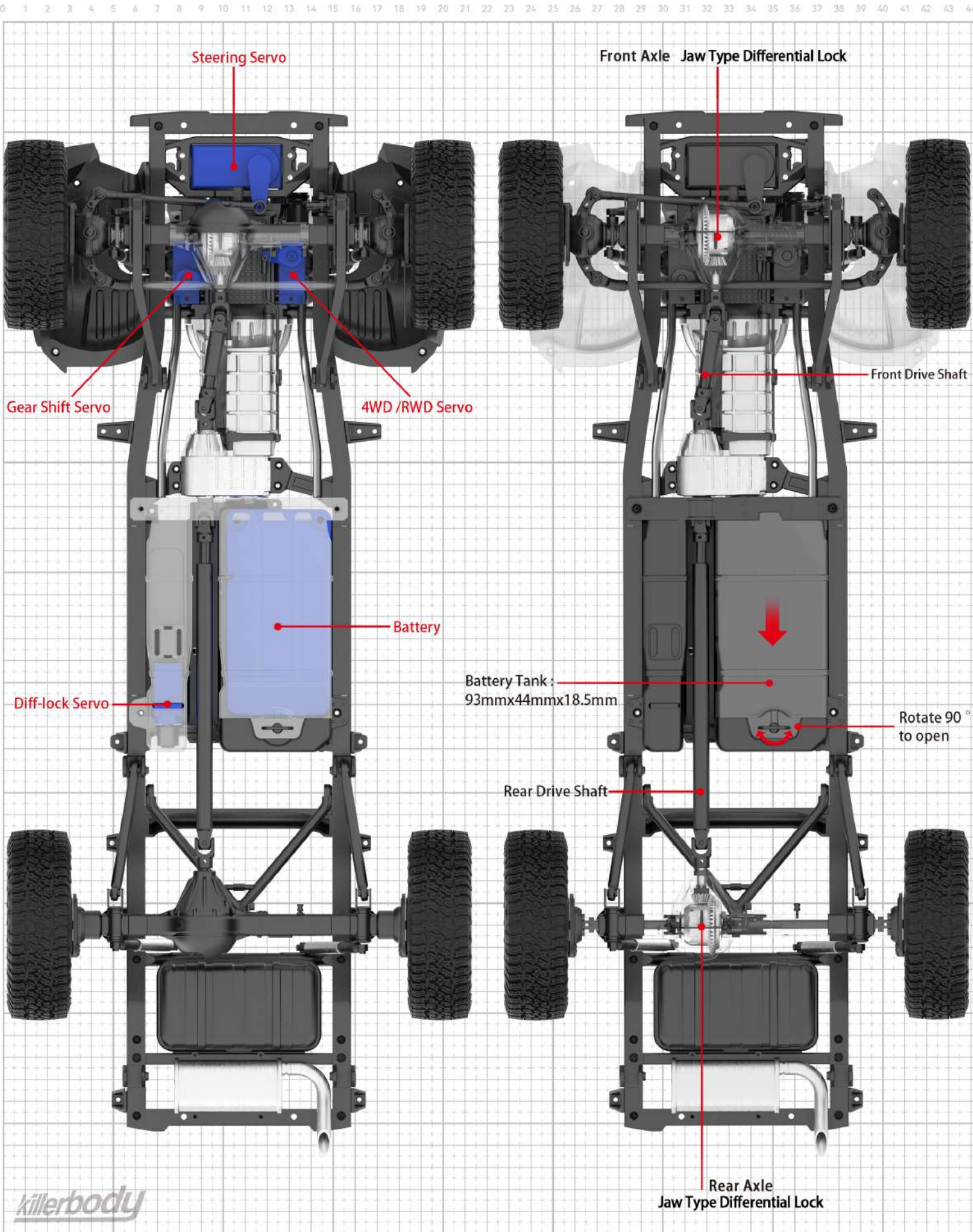
Brand	Killerbody	
Parameters	Chassis dimensions	475mm×215mm×135mm
	Approach angle of chassis	70°
	Departure angle of chassis	36°
	Ramp breakover angle of chassis	35°
	Chassis dimensions(assembled Jeep,Item NO:48765)	502mm×215mm×188mm
	Approach angle of chassis (assembled LC70,Item NO:48765)	54°
	Departure angle of chassis(assembled Jeep,Item NO:48765)	32°
	Ramp breakover angle of chassis (assembled Jeep,Item NO:48765)	35°
	Wheelbase	313mm
	Tyre	30mm×87mm 1.55 inch wheel rim
	Wheel hub adaptor	12mm
	Track width (F/R)	186mm/183mm
	Minimum underground clearance	28mm
	Battery tank	93mm×44mm×18.5mm
Weight of chassis	1400g	



When installing a jeep body on the chassis, a simulated cooling fan can't be installed.

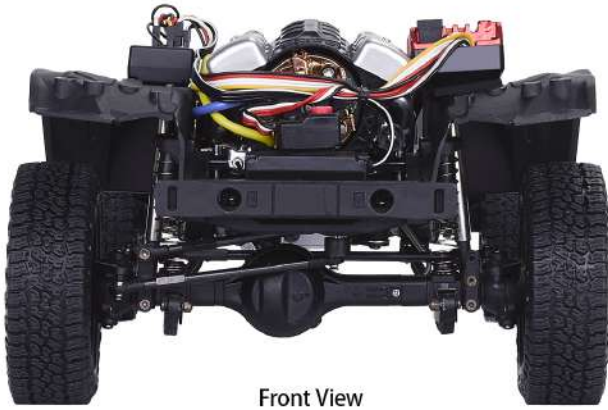




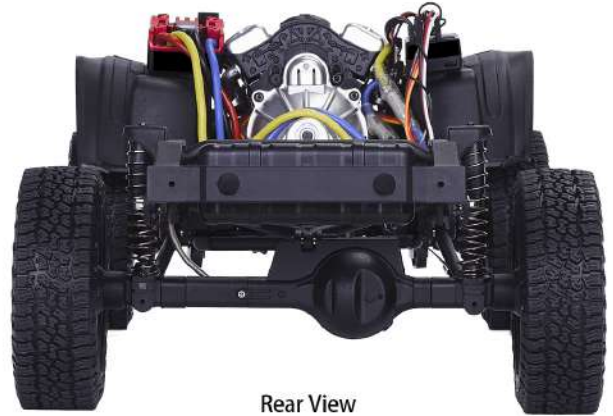




The effect of installing electronic and power equipment on the chassis.

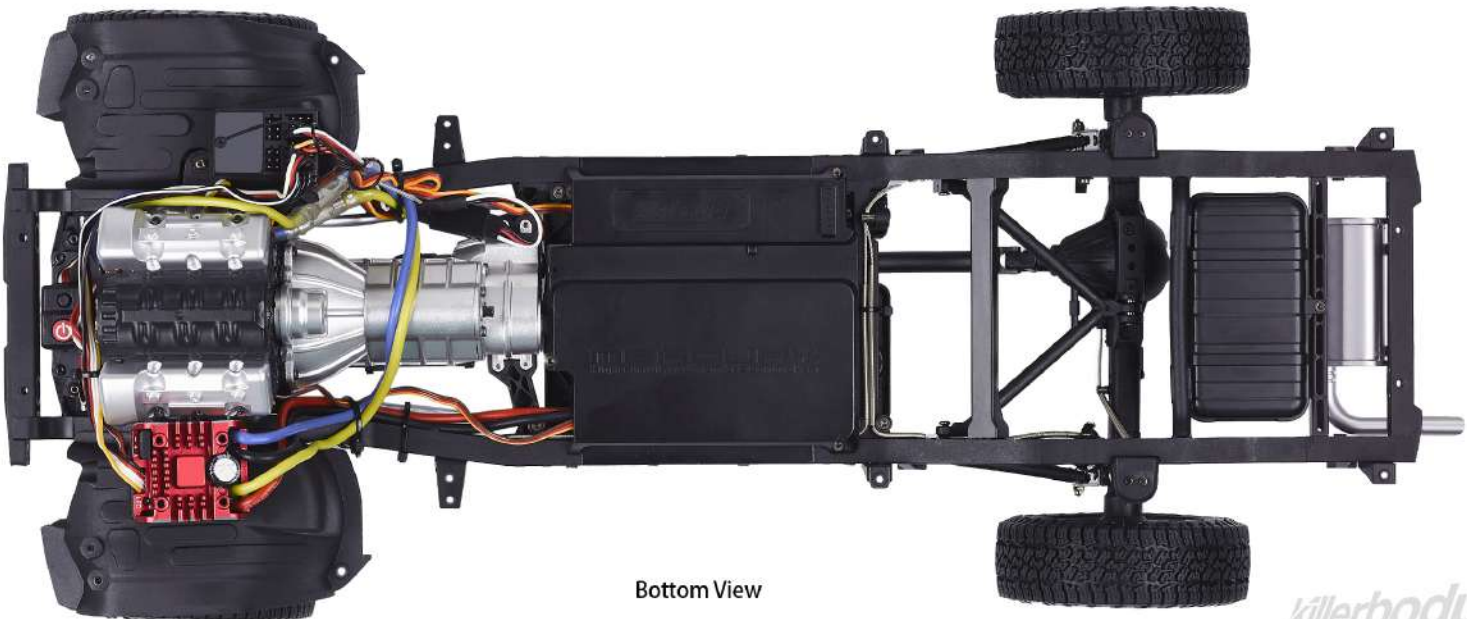


Front View



Rear View

Vertical View



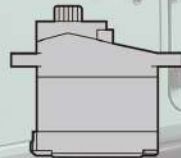
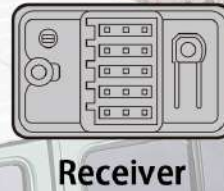
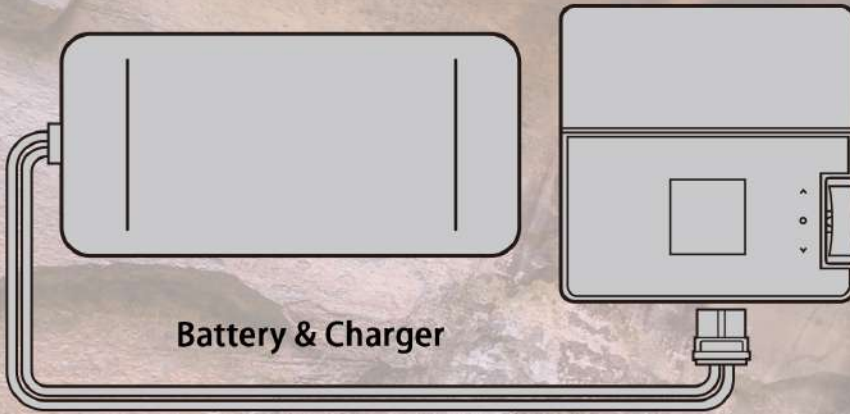
Bottom View

*killerbody*

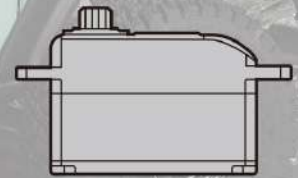


**SEPARATELY REQUIRED ITEMS**

*killerbody*



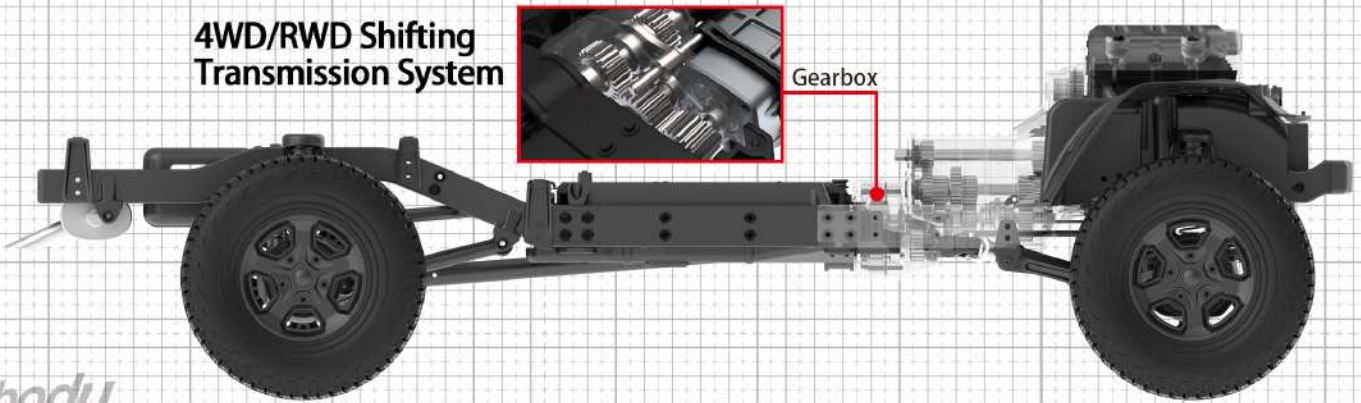
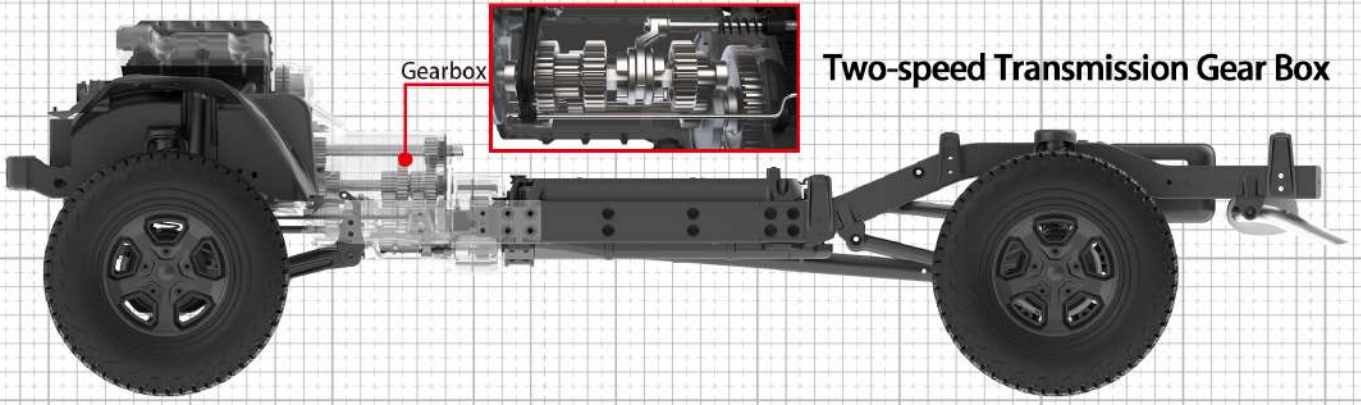
4WD/ RWD Servo x1  
Diff-lock Servo x1



<b>Electronic Equipment</b>	Battery	2S 7.4V LiPo battery	○
	Motor	540 35T Motor	○
	Motor gear	m0.6 14-20T	○
	Remote control system	2.4G 6 channels	○
	Steering servo	Size:35mm*16mm/40mm*20mm; Torque: 5kg /12kg(Compatible with standard servo)	○
	Gear shift servo	Size: 26mm*12mm*24mm/ 24mm*12.5mm*22.5mm Torque: 4kg/2.2kg	○
	4WD/RWD switch servo		○
	Diff-lock servo		○
	Sound simulation	✓	○
	Light simulation	✓	○
Smoke simulation	✓	○	



0 1 2 3 4 5 6 7 8 9 10 11 12 13 14 15 16 17 18 19 20 21 22 23 24 25 26 27 28 29 30 31 32 33 34 35 36 37 38 39 40 41 42 43 44 45 46 47 48 49 50 51 52 53 54



*killerbody*

**Liners Fender Flares**

When installing a jeep body on the chassis, a simulated cooling fan can't be installed.



**Silicone Dust Jacket**



Item#48694  
Aluminum Alloy Wheel 1.55 inch  
Only fit for KB48692 Tyre 3.75 inch



Item#48692  
Detail Scale Rubber Tyre 3.75 inch  
Fits best 1.55" wheels  
Fit for KB48694 Wheel 1.55 inch

**Simulation Spherical Steering Structure**

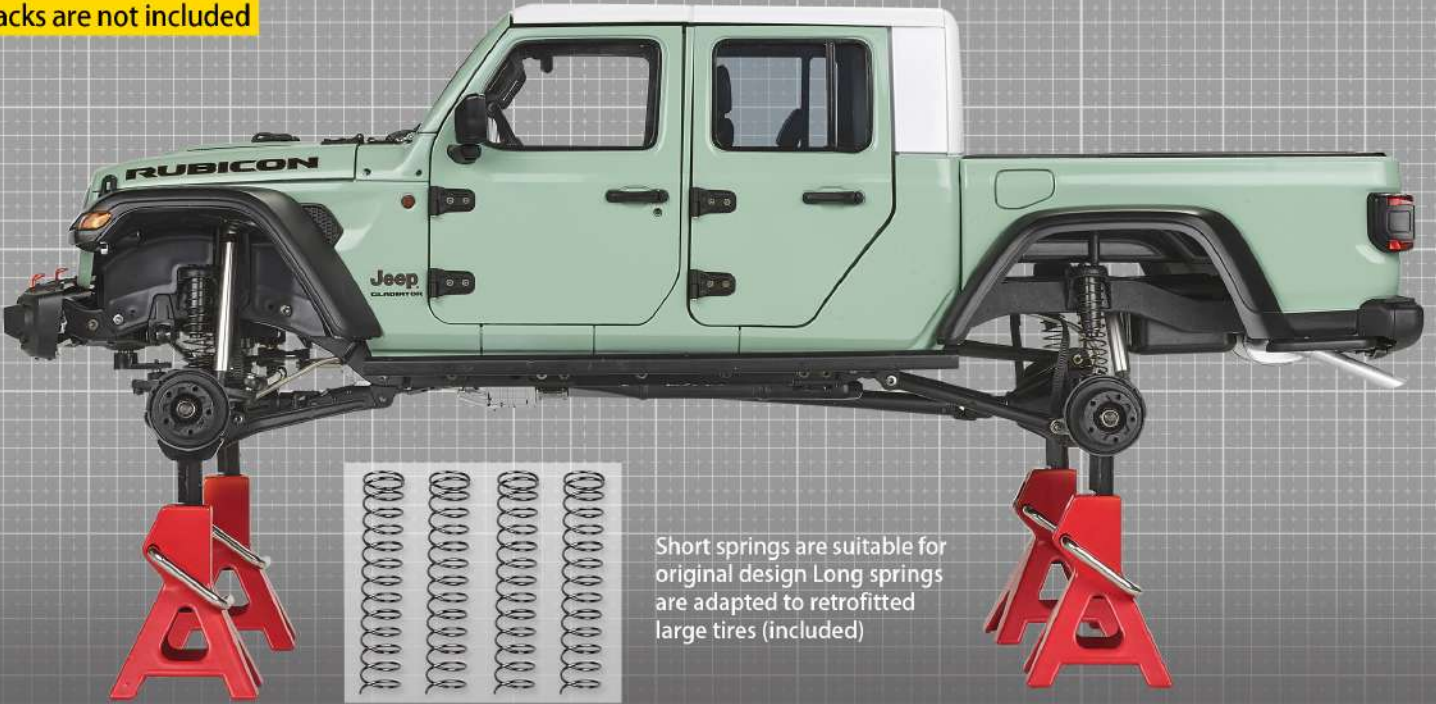
Tyre: 23\*83mm 1.68 inch wheel rim  
Wheel Hub Adaptor: 12mm

**Tires can be purchased extraly for upgrades.**

Under the premise of pursuing the simulation structure, it also has a good performance of steering angle is about 40°



Jacks are not included



Short springs are suitable for original design Long springs are adapted to retrofitted large tires (included)



Front Suspension: 3-linkage suspension w/coil springs



4 link suspension w/damper cylinder

Item#48782  
Steel Leaf Spring Sets  
Fit for KB#48760/48780 1/10 MERCURY Remote Control Car Chassis Kit



The rear suspension can be converted by purchasing leaf spring upgrade sets.



<b>Chassis Frame</b>	Chassis frame	Separate frame construction	●
	Material	PA & fiber	●
	Driving	4WD/RWD shifting transmission system	●
	Front suspension	3-linkage suspension w/coil springs	●
	Rear suspension	4-linkage suspension w/damper cylinder	●
	Servo	Steering servo, Gear shift servo,4WD/RWD switch servo, Diff-lock servo	○
	Transmission	2 speeds ( High/Low)	●
	Gearbox gear ratio	Low: gear: 35.4; High gear: 12.85	●
	Gearbox type	Servo control 2 speed transmission	●
	Transfer case	Servo control transfer box	●
	Differential	Planetary gear differential	●
	Differential lock	Jaw type differential lock	●



The effect of cross axis, under the premise of pursuing the simulation structure have good performance.

*killerbody*





The effect of hood opening



The effect of cockpit





**CUSTOMIZE!** Customize your vehicle with the following option parts (sold separately)

Customizing and setting up your machine is one of the enjoyable aspects of R/C models and Killerbody offers a broad range of Option Parts for these purposes.



**48777**  
Front/ Rear Axle Upgrade Sets  
Aluminium alloy



**48811**  
Frame Upgrade Sets  
Aluminium alloy



**48808**  
Control Arm Upgrade Sets  
Aluminium alloy

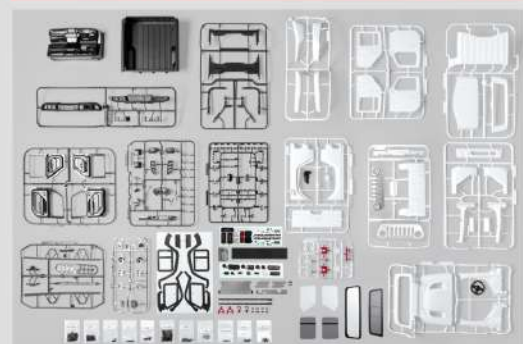


**48809**  
Steering Knuckle Upgrade Sets  
Aluminium alloy

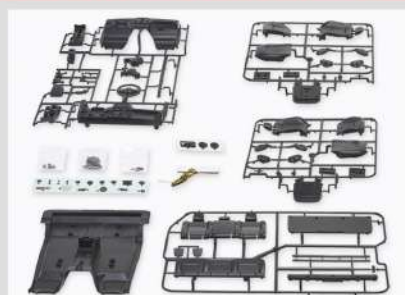


**48810**  
Suspension Loop Upgrade Sets  
Aluminium alloy

**SEPARATELY SOLD ITEMS ( BODY SHELL & CORRESPONDING UPGRADE PARTS)**



**48765** 1/10 Jeep Gladiator Rubicon Hard Body Kit



**48776** Cockpit Set (Left & Right)  
Fit for KB#48765 1/10 Jeep Gladiator Rubicon Hard Body



**48778** LED Unit Set w/Control Box 24 LEDs  
Fit for KB#48765 1/10 Jeep Gladiator Rubicon Hard Body

For more upgrade parts of the body shell, please browse [RC.KILLERBODY.COM](http://RC.KILLERBODY.COM)







**Item#48783**  
4-linkage suspension system package (Rear axle)



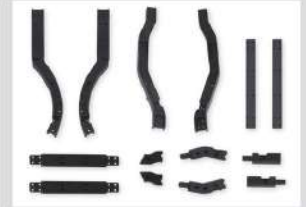
**Item#48812**  
Liners Fender Flares & Carriage installation fixing point  
KB#48765 1/10 Jeep Gladiator Rubicon Hard Body



**Item#48813**  
Detail Scale Butyl Rubber Tyre 3.5 inch  
KB#48765 1/10 Jeep Gladiator Rubicon Hard Body



**Item#48814**  
Aluminum Alloy Wheel 1.55 inch  
KB#48765 1/10 Jeep Gladiator Rubicon Hard Body



**Item#48816**  
Chassis frame kit



**Item#48817**  
Tank shell



**Item#48818**  
Chassis beam kit



**Item#48819**  
Battery compartment shell kit



**Item#48820**  
Engine and transmission housing set



**Item#48821**  
Exhaust pipe kit



**Item#48822**  
Front axle set



**Item#48823**  
Rear axle set



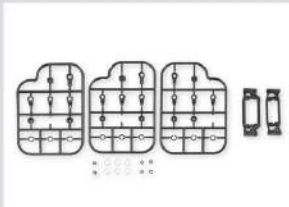
**Item#48824**  
Front axle suspension system accessory package



**Item#48825**  
Steering rod and Panhard rod



**Item#48826**  
Universal joint transmission shaft kit



**Item#48827**  
Steering server support package



**Item#48828**  
Screw and tool set





Brand	Killerbody	
Parameters	Chassis dimensions	475mm×215mm×135mm
	Approach angle of chassis	70°
	Departure angle of chassis	36°
	Ramp breakover angle of chassis	35°
	Chassis dimensions(assembled Jeep,Item NO:48765)	502mm×215mm×188mm
	Approach angle of chassis (assembled LC70,Item NO:48765)	54°
	Departure angle of chassis(assembled Jeep,Item NO:48765)	32°
	Ramp breakover angle of chassis (assembled Jeep,Item NO:48765)	35°
	Wheelbase	313mm
	Tyre	30mm×87mm 1.55 inch wheel rim
	Wheel hub adaptor	12mm
	Track width (F/R)	186mm/183mm
	Minimum underground clearance	28mm
	Battery tank	93mm×44mm×18.5mm
Weight of chassis	1400g	

Chassis Frame	Chassis frame	Separate frame construction	●
	Material	PA & fiber	●
	Driving	4WD/RWD shifting transmission system	●
	Front suspension	3-linkage suspension w/coil springs	●
	Rear suspension	4-linkage suspension w/damper cylinder	●
	Servo	Steering servo, Gear shift servo,4WD/RWD switch servo, Diff-lock servo	○
	Transmission	2 speeds ( High/Low)	●
	Gearbox gear ratio	Low: gear: 35.4; High gear: 12.85	●
	Gearbox type	Servo control 2 speed transmission	●
	Transfer case	Servo control transfer box	●
	Differential	Planetary gear differential	●
	Differential lock	Jaw type differential lock	●

Electronic Equipment	Battery	2S 7.4V LiPo battery	○
	Motor	540 35T Motor	○
	Motor gear	m0.6 14-20T	○
	Remote control system	2.4G 6 channels	○
	Steering servo	Size:35mm*16mm/40mm*20mm; Torque: 5kg /12kg(Compatible with standard servo)	○
	Gear shift servo	Size: 26mm*12mm*24mm/ 24mm*12.5mm*22.5mm Torque: 4kg/2.2kg	○
	4WD/RWD switch servo		○
	Diff-lock servo		○
	Sound simulation	✓	○
	Light simulation	✓	○
	Smoke simulation	✓	○